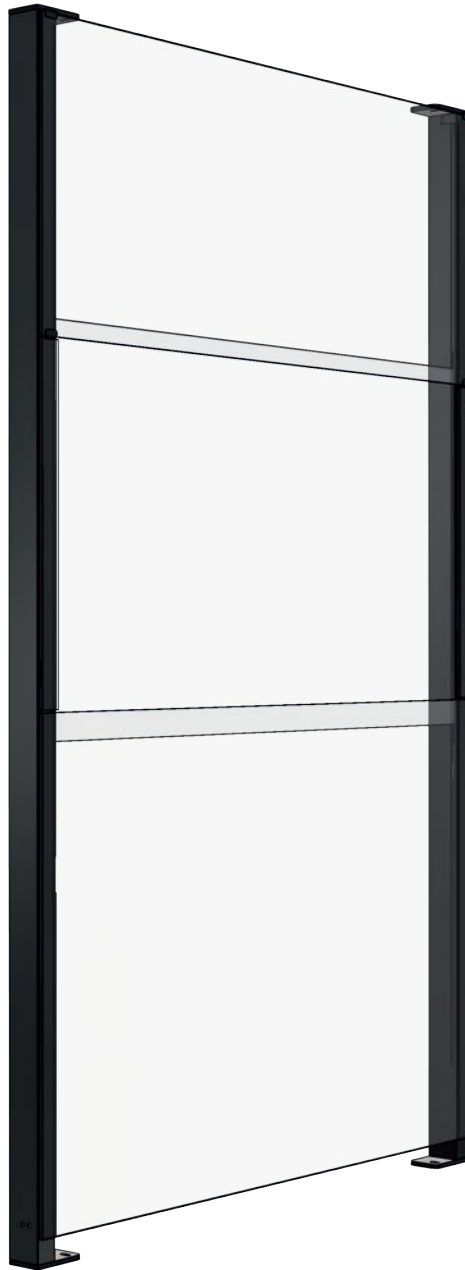




ClickitUpPlus Instruction Manual



ClickitUp®
by ErgoSafe®

Table of Contents

Introduction.....	3
Technical Specification	3
Product Overview.....	4
Receiving.....	5
Preparations.....	6
Installation.....	6
Use.....	9
Maintenance.....	10
Warranty.....	10
Troubleshooting.....	10
Dismantling.....	10
Recycling	10
EU Declaration of Conformity.....	11



Designed and manufactured in Sweden. ErgoSafe’s glass balustrade under the trademark ClickitUp® is protected by registered designs: EU 002416248-0001–0005 (March 2014), GB 90024162480001-0005, EU 015096653-0001–0002, GB, NO DM/2513503. The design protection means that no other operator within the EU, the United Kingdom or Norway has the legal right to manufacture, sell or import copies of ErgoSafe’s glass balustrades.

Introduction

ClickitUpPlus is a glass panel system consisting of a fixed lower pane, a movable middle pane and a fixed upper pane. This manual contains technical information and step-by-step instructions for correct installation. To ensure full understanding of the product's function, assembly sequence and relevant safety aspects, the entire manual must be read before starting installation. Incorrect installation may result in risk of personal injury, damage to the product and voiding of the warranty.

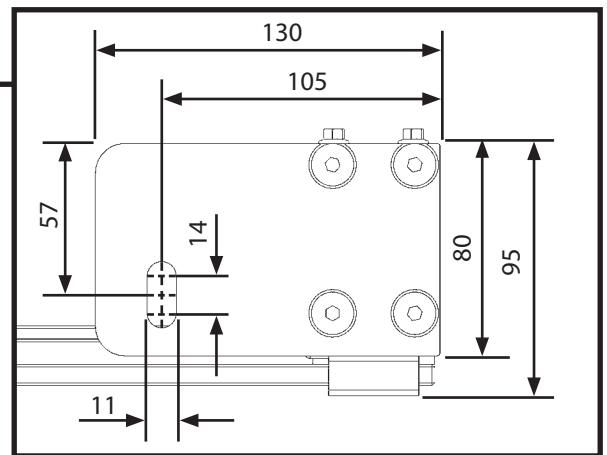
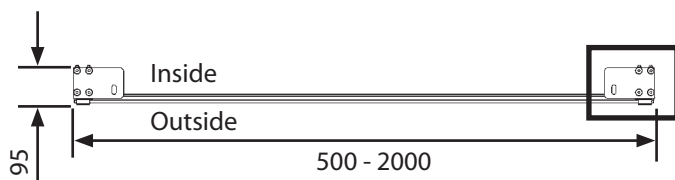
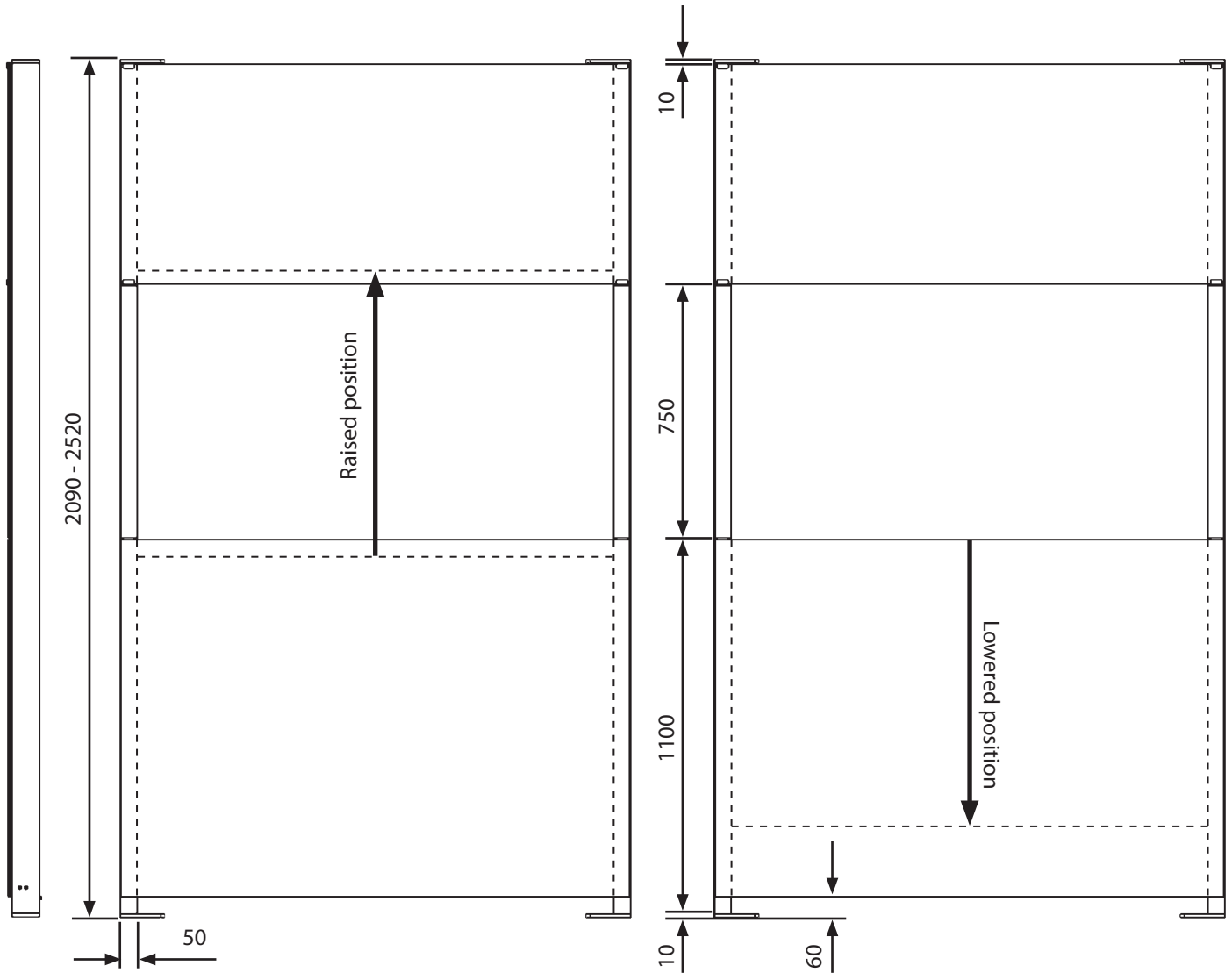
Technical Specification

Description	Glass panel with height-adjustable function
Safety	ClickitUp® is CE marked in accordance with the Machinery Directive 2006/42/EC The glass panel must not be installed where there is a risk of falling
Manufacturing method	Structural glazing is used to mount glass to aluminium posts
Function	The system uses semi-automatic gas spring technology to raise the movable section
Fixing	Fixing to substrate and superstructure at four points
Material	Glass, aluminium and stainless steel
Glass	Toughened safety glass: 8 mm in fixed panes, 6 mm in movable pane
Height	2090–2520 mm including fixings
Width	500–2000 mm
Depth	95 mm
Surface treatment	Posts and fixings are supplied in black anodised finish as standard

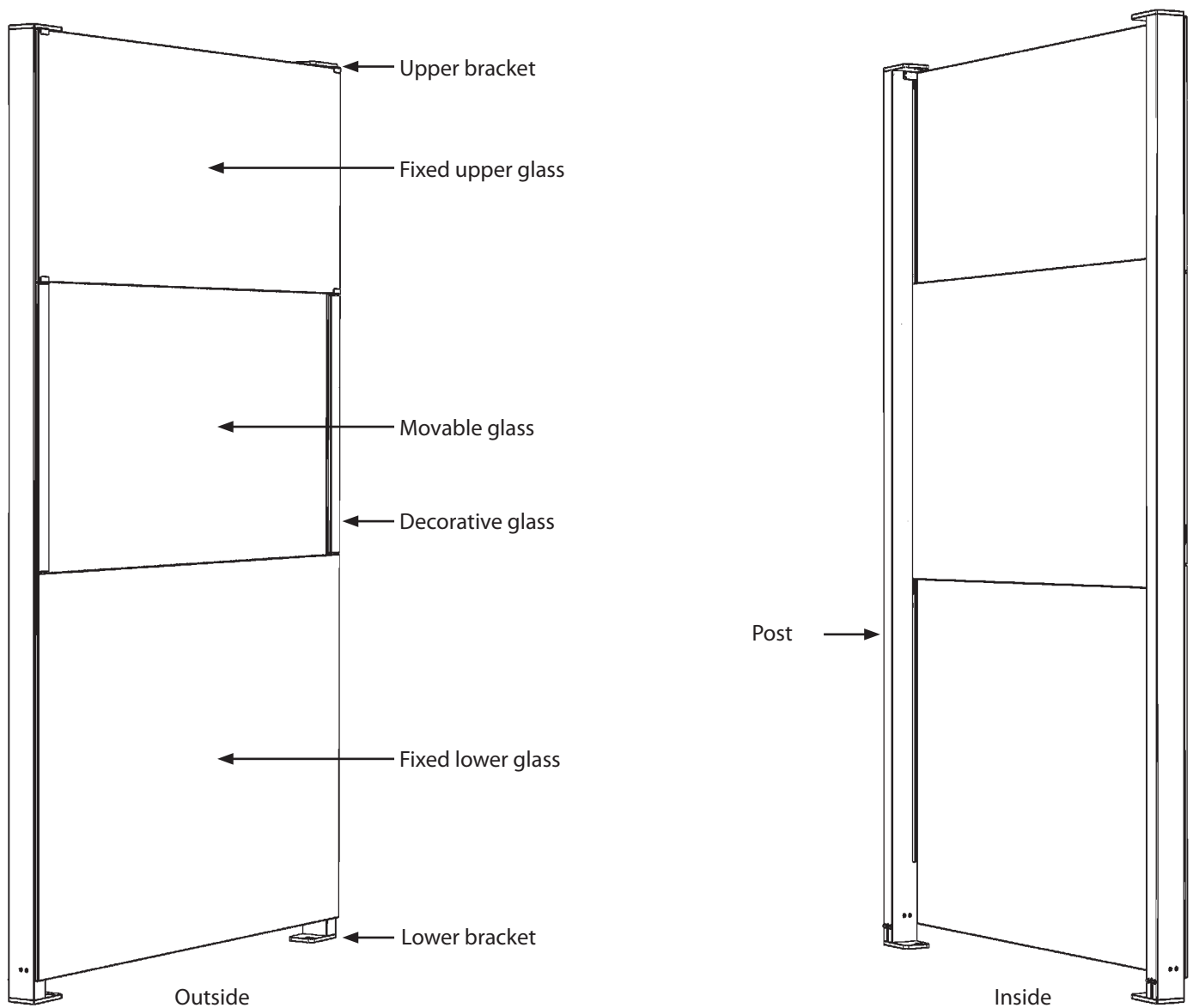
Product Overview

The movable glass can be positioned in two positions – raised or lowered – with an opening height of 750 mm in the lowered position. The lower fixed glass has a constant height, while the height of the upper fixed glass varies depending on the total height selected for the glass panel.

Fixing to substrate and superstructure is carried out via four height-adjustable brackets. For more detailed information, see drawing below. All dimensions are stated in millimetres.



ClickitUpPlus is delivered as a fully assembled unit with integrated adjustable brackets at the top and bottom of the aluminium posts. The glass panel is ready for direct installation on site according to this manual. Upper and lower drip profiles for water drainage are available as optional accessories at the time of order.



Receiving

Delivery inspection

Upon receipt of the delivery, the recipient is responsible for checking the condition of the goods and the number of packages against the information stated on the consignment note. Visible damage must be documented with photographs while the product is still packaged and reported directly on the consignment note as well as to the driver and the transport company before signing for the goods. Concealed damage must be documented and reported immediately upon discovery, however no later than seven days after receipt. After this deadline, claims regarding delivery discrepancies can no longer be invoked. Note that concealed damage can only be reported if the goods remain at the unloading location at the time of discovery.

Unloading from pallet

Place the pallet on a stable and level surface before starting unloading. Each section is individually secured upon delivery. To avoid personal injury and damage to the product, unloading must be carried out in a controlled sequence:

1. Carefully remove the packaging plastic.
2. Lift off the sections to be installed. Note that the units are heavy and require careful handling. Use several persons or suitable lifting equipment. Do not lift by the movable section.
3. Secure remaining sections. Ensure they are placed stably and remain individually secured to prevent tipping.

Preparations

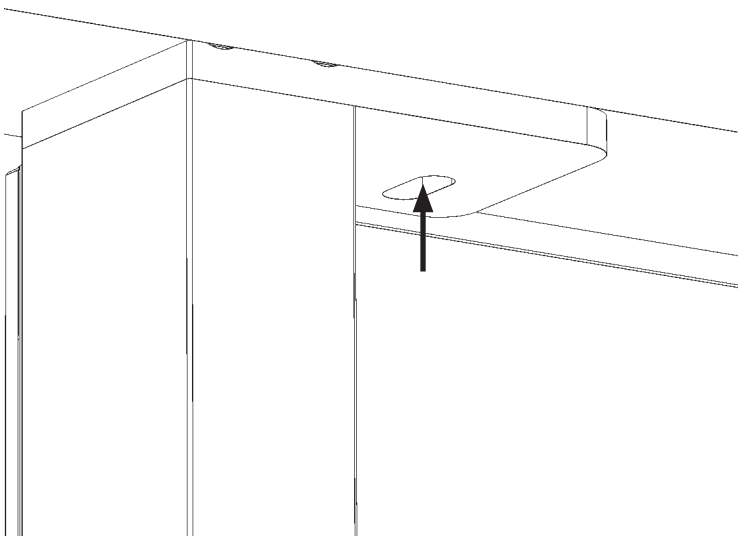
To ensure smooth and correct installation of ClickitUpPlus, the following preparations must be carried out before work begins.

- Verify that the substrate has sufficient load-bearing capacity to support the weight of the glass panel and loads arising from wind exposure and normal use.
- The substrate must be level and even to ensure correct installation and function.
- The fixing surfaces must be dimensioned to allow secure fastening. When fixing to concrete, a rubber sheet or other insulating barrier must be placed between the brackets and the concrete surface to minimise the risk of corrosion and damage.
- Verify that the opening dimensions and section dimensions correspond with the drawing and order.
- Select fastening elements adapted to the materials of both the substrate and the superstructure. When installing in constructions with water drainage systems directly adjacent to fixing points, corrosion-resistant sealed screw connections must be used to prevent water penetration.
- Plan the placement of the glass sections before starting the installation.
- Ensure that there is sufficient space for safe handling, taking into account their weight and size.
- Use lifting aids and avoid lifting sections alone.
- Do not lift by the movable part.
- Avoid installing the product in strong winds or unfavorable weather conditions.

Installation

1. Fixing of upper bracket

It is recommended to begin by fixing the two upper brackets to the superstructure. Fixing is carried out from the inside of the glass section where the brackets are accessible. If the product is equipped with the optional upper drip profile, it must be positioned between the upper brackets and the superstructure before fixing. The drip profile is clamped in place between them. For more information, see the section *Drip Profiles under Installation*.



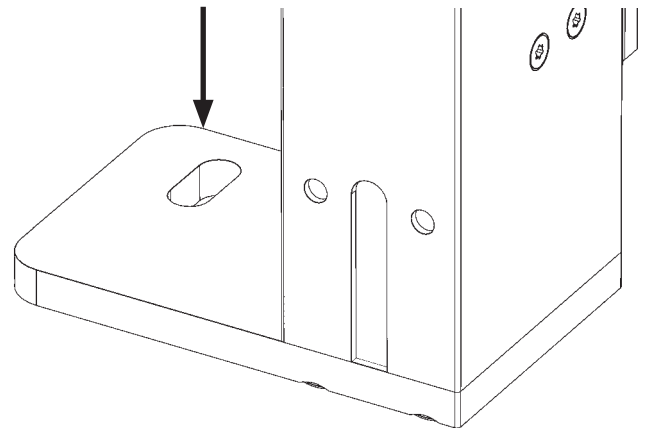
2. Adjustment of glass section

Check that the glass section is plumb and level using a spirit level. This ensures proper function and an aesthetic final result.

3. Fixing of lower brackets

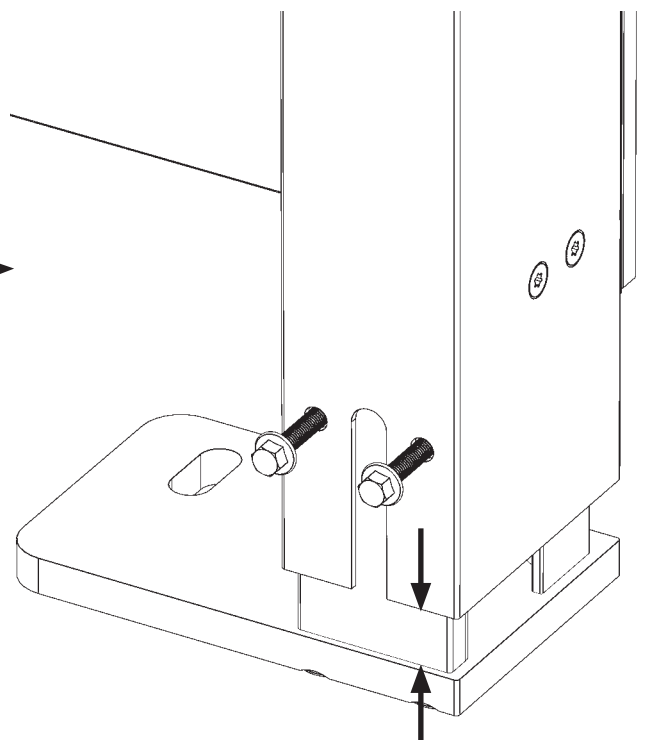
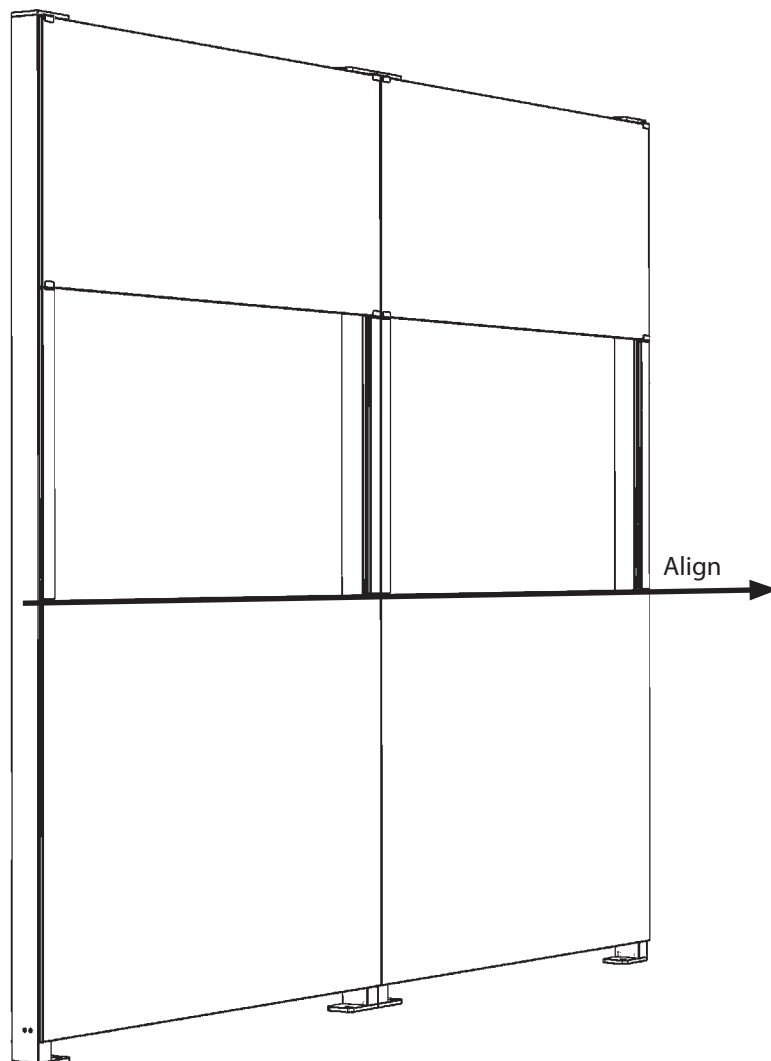
When the section is correctly adjusted, the lower brackets are fixed to the substrate. Note that if the substrate slopes, the posts will end up in their bottom position at the highest point of the substrate.

If the product is equipped with the optional lower drip profile, it is placed between the section posts on top of the ground brackets before fixing the lower brackets. For more information on installation and function, see the section *Drip Profiles under Installation*.



4. Height adjustment on sloping substrates

If necessary, the sections can be mounted at different heights on the ground brackets to compensate for slope in the substrate. For a clean and uniform final result, the sections should be installed level so that the top edge of the lower fixed glass panels aligns between sections. Use a spirit level to ensure correct height adjustment. Screws for fixing the section to the ground brackets are included. Fixing is carried out from the rear side of the glass section.



5. Self-inspection.

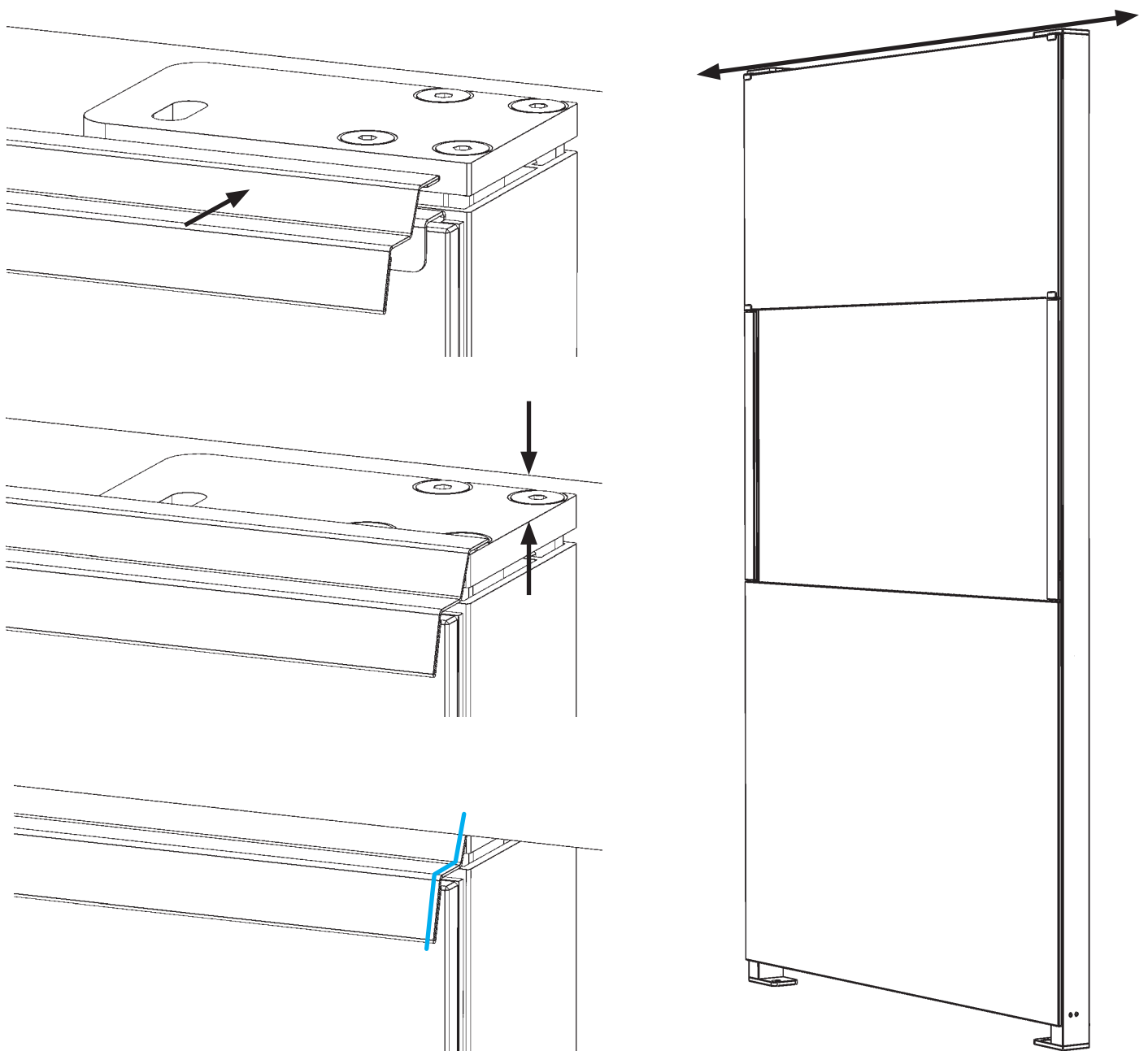
After installation, check correct function.

- Raise and lower the movable glass several times to ensure smooth movement without abnormal noise
- Ensure no parts are damaged or incorrectly assembled.

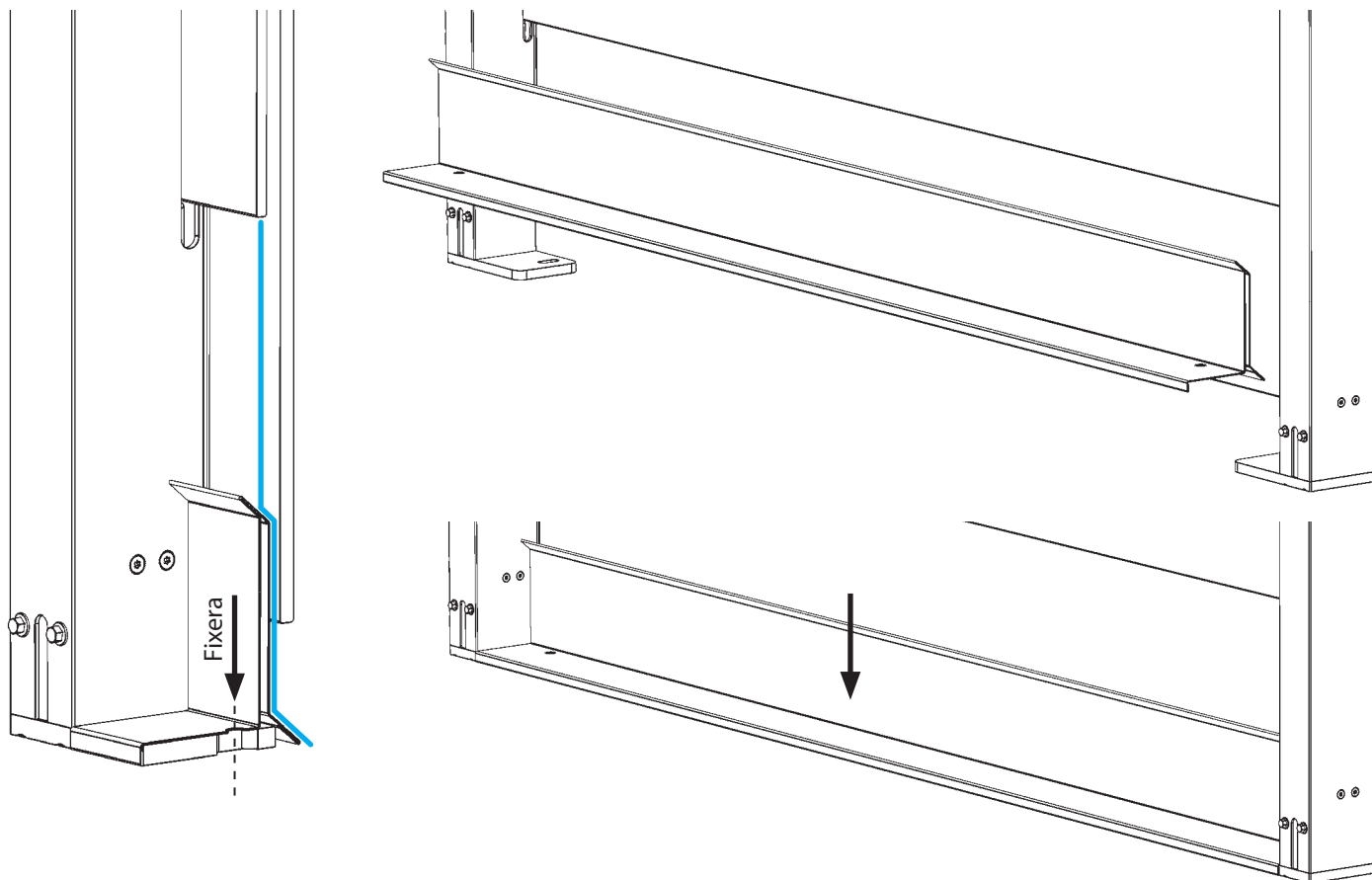
6. Drip profiles.

ClickitUpPlus can be equipped with upper and lower drip profiles that improve the product's performance in outdoor environments through efficient water drainage. They are sold separately and can be selected as an option when ordering.

The upper drip profile is installed between the upper brackets of the glass section and the superstructure, where it is clamped in place during fixing.



The lower drip profile is placed between the section posts, on top of the ground brackets. Drill one hole on each side of the drip profile within the area of the milled slot in the underlying mounting plates. The drip profile is then fixed together with the ground brackets to the substrate.



7. Contrast marking.

Apply contrast markings to glass surfaces to improve safety and accessibility. Often required by law in public environments. Markings should be placed at two heights for visibility. Always check applicable regulations.

Use

The movable part of the glass section is balanced by a gas spring providing semi-automatic movement. To lock the glass in the lowered position, press it down manually. Press the glass once more to release the locking mechanism, allowing it to move slowly upward. Note that the function of the gas springs may be affected by external factors such as friction and temperature. In some cases, the movable glass may need manual assistance to reach the upper position. During extended periods without use, ClickitUpPlus should remain in the raised position.

Warning – Risk of crushing

There is a risk of crushing injuries when raising or lowering the movable glass. Pay particular attention to the area between the lower edge of the glass and the lower part of the aluminium profile groove where the glass moves when being lowered. The product must not be used by children without adult supervision. Exercise special caution when the glass is in motion.

Strong wind

In strong wind conditions, ClickitUpPlus should remain in the raised position.

MAINTENANCE

The product requires minimal maintenance, but regular cleaning and visual inspection are recommended to ensure continued function and safety.

- Flush the inside of the aluminium posts with water through the vertical slot to remove any dirt.
- Wipe the outside of the aluminium profiles with a damp cloth and mild detergent. Do not use strong acids, alkaline cleaning agents, or abrasives that may damage the anodized surface.
- Clean the glass with a soft cloth or sponge using lukewarm water and a mild detergent. Avoid abrasive cleaning agents or tools that may scratch the glass surface.
- After long periods of inactivity, the movable section may advantageously be raised and lowered a few times to ensure continued smooth operation.

Warranty

For the warranty to be valid, the following conditions must be met:

- In the event of a warranty claim, the seller must be contacted for assessment in accordance with the applicable warranty terms. The seller is responsible for confirming whether the defect is covered by the warranty. Any intervention or action carried out without approval from ErgoSafe's claims department is at the customer's own risk and will void the warranty.
- In warranty cases, the product's serial number must be stated together with photographs clearly showing the claimed defect. When replacing components, the parts must be returned to the seller without exception.
- When replacing components, the parts must be returned to the seller without exception. Failure to do so voids the customer's right to warranty compensation.

The warranty does not cover: Incorrect installation or settlement of foundation or timber structures.

Troubleshooting

The glass does not move fully upward. This may occur after a storm or structural settlement.

Action: Lift manually.

The glass does not move fully downward. Action: Remove obstruction or dirt.

If malfunction of the lifting mechanism is suspected. Action: Contact reseller.

Dismantling

If dismantling is required, for example for service, relocation or recycling, it must be carried out with the same care as installation. Ensure that ClickitUpPlus is in the raised position.

Recycling

ClickitUpPlus is designed with recyclable materials in mind, contributing to a more sustainable life cycle. At the end of its life, the components can be easily dismantled, separated and sorted in accordance with applicable regulations and recommendations for material recycling.

EC conformity declaration

(Referred to 2006/42/EG, Annex 2A)

Manufacturers:

Company name: ErgoSafe AB
Address: Reparatörgatan 1, 302 62 Halmstad
Representative: Fredrik Johansson, CEO
Document no:

Authorised person:

Name: Fredrik Johansson, CEO
Company name: ErgoSafe AB
Address: Reparatörgatan 1,
SE-302 62 Halmstad

Hereby declare that the machine

ClickitUp[®]

comply with all applicable legal provisions in the Machinery Directive 2006/42/EG

The following directives have been implemented:
2006/42/EG (the Machinery Directive)

The following harmonizing standards have i.a. applied:
SS-EN ISO 12100:2010 (Safety of machinery, general principles for design, risk assessment and risk reduction)

Halmstad 2016-12-21



Fredrik Johansson, CEO



ClickitUp[®]

by ErgoSafe[®]