



CiUWindscreen Instruction Manual



ClickitUp®
by ErgoSafe®

Table of Contents

Introduction.....	3
Technical Specification.....	3
Product Overview.....	4
Receiving	5
Preparations	6
Installation.....	6
Operation.....	11
Maintenance.....	11
Warranty.....	11
Troubleshooting.....	11
Disassembly.....	11
Recycling.....	11



Designed and manufactured in Sweden. ErgoSafe's glass balustrade under the trademark ClickitUp® is protected by registered designs: EU 002416248-0001-0005 (March 2014), GB 90024162480001-0005, EU 015096653-0001-0002, GB, NO DM/2513503. The design protection means that no other operator within the EU, the United Kingdom or Norway has the legal right to manufacture, sell or import copies of ErgoSafe's glass balustrades.

Introduction

CiUWindscreen is a wind protection system intended to create shelter and protection in outdoor environments. This manual contains technical information and step-by-step instructions for correct installation. To ensure full understanding of the product's function, assembly sequence and relevant safety aspects, the entire manual must be read before starting the installation. Incorrect installation may result in risk of personal injury, damage to the product and voiding of the warranty.

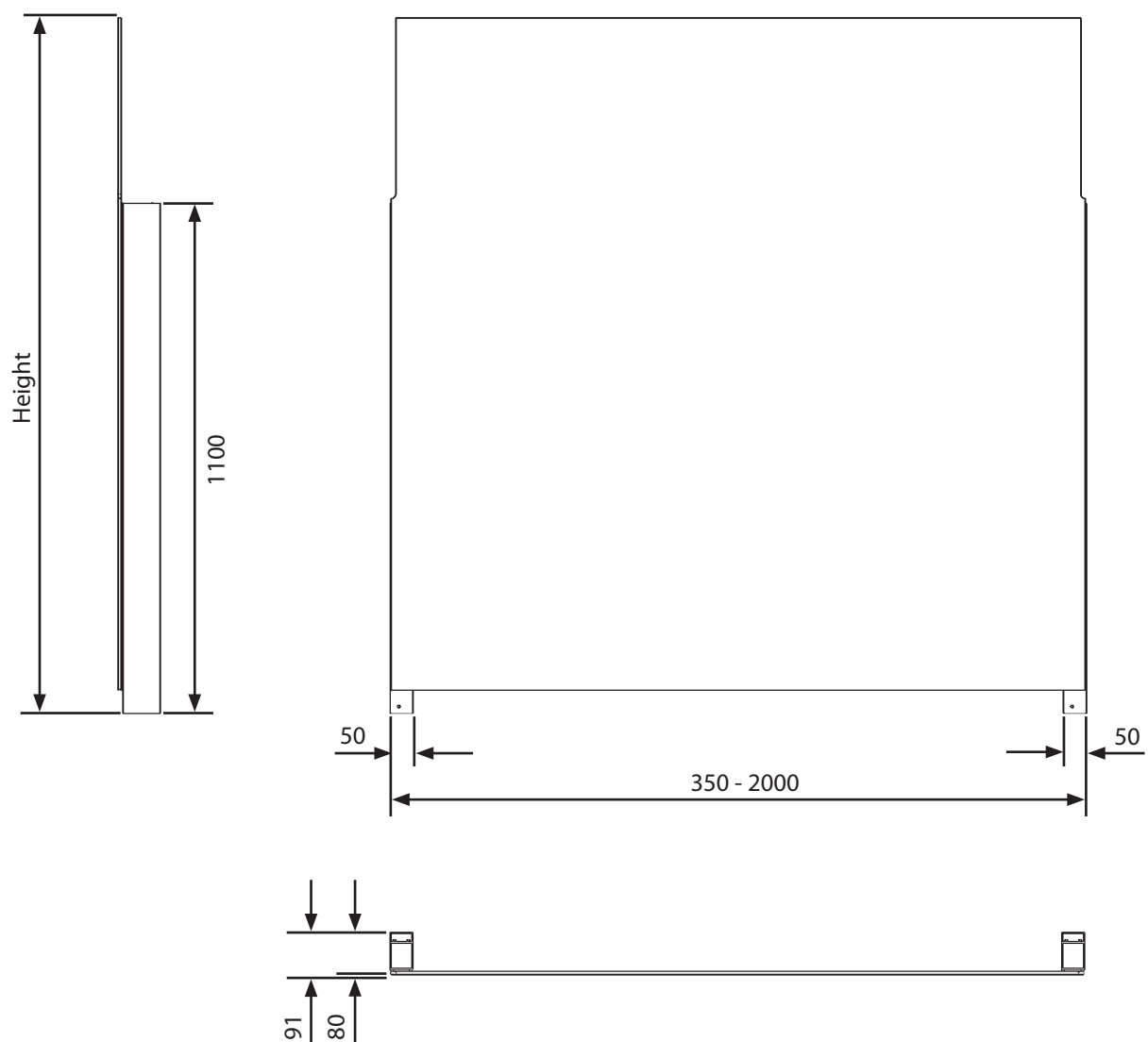
Technical Specification

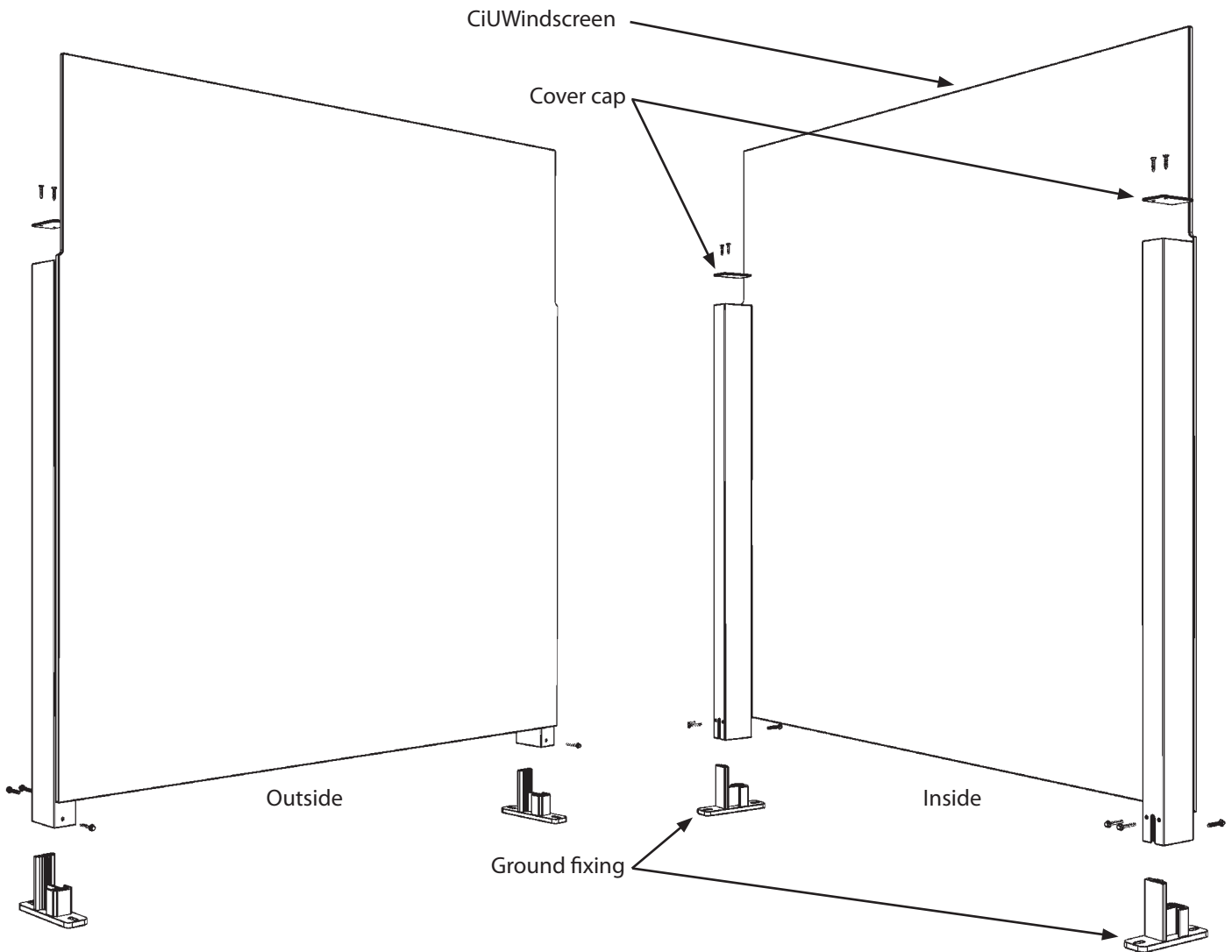
Description	Windscreen
Manufacturing method	Structural glazing used to mount glass to aluminium posts
Fixing	Fixing to substrate using selected ground fixings and associated cover caps
Material	Glass, aluminium and stainless steel
Glass	8 mm toughened safety glass
Height	Standard height: 1500 mm (excluding ground fixings) Customisation is possible, please contact sales for advice
Width	350 - 2000 mm
Depth	91 mm (excluding ground fixings)
Surface treatment	Posts and ground fixings are supplied in natural anodised finish as standard. Black anodising or powder coating in any RAL colour is available as an option at additional cost.

Product Overview

CiUWindscreen consists of aluminium posts with a height of 1100 mm, where the glass is mounted using structural glazing technology for a safe and stable construction. The glass extends above the posts, giving the windscreen a total standard height of 1500 mm.

For a complete installation, cover caps are mounted on top of the posts, while ground fixings are installed at the base to secure the windscreen to the substrate. Sections are normally installed with double ground fixings and double cover caps to create a continuous system. For solutions requiring easy dismantling, single ground fixings and single cover caps are available as alternatives. Contact sales for advice. For more information, see drawing below. All dimensions are stated in millimetres.





Receiving

Delivery inspection

Upon receipt of the delivery, the recipient is responsible for checking the condition of the goods and the number of packages against the information stated on the consignment note. Visible damage must be documented with photographs while the product is still packaged and reported directly on the consignment note as well as to the driver and the transport company before signing for the goods. Concealed damage must be documented and reported immediately upon discovery, however no later than seven days after receipt. After this deadline, claims regarding delivery discrepancies can no longer be invoked. Note that concealed damage can only be reported if the goods remain at the unloading location at the time of discovery.

Unloading from pallet

Place the pallet on a stable and level surface before starting unloading. To avoid personal injury and damage to the product, unloading must be carried out in a controlled sequence:

1. Carefully remove the packaging plastic.
2. Lift off the sections to be installed. Note that the windscreens are heavy and require careful handling. Use several persons or suitable lifting equipment.
3. Ensure that the remaining sections are standing securely and individually secured to prevent them from tipping over.

Preparations

To ensure that the installation of CiUWindscreen is carried out smoothly and correctly, the following preparations must be completed before work begins.

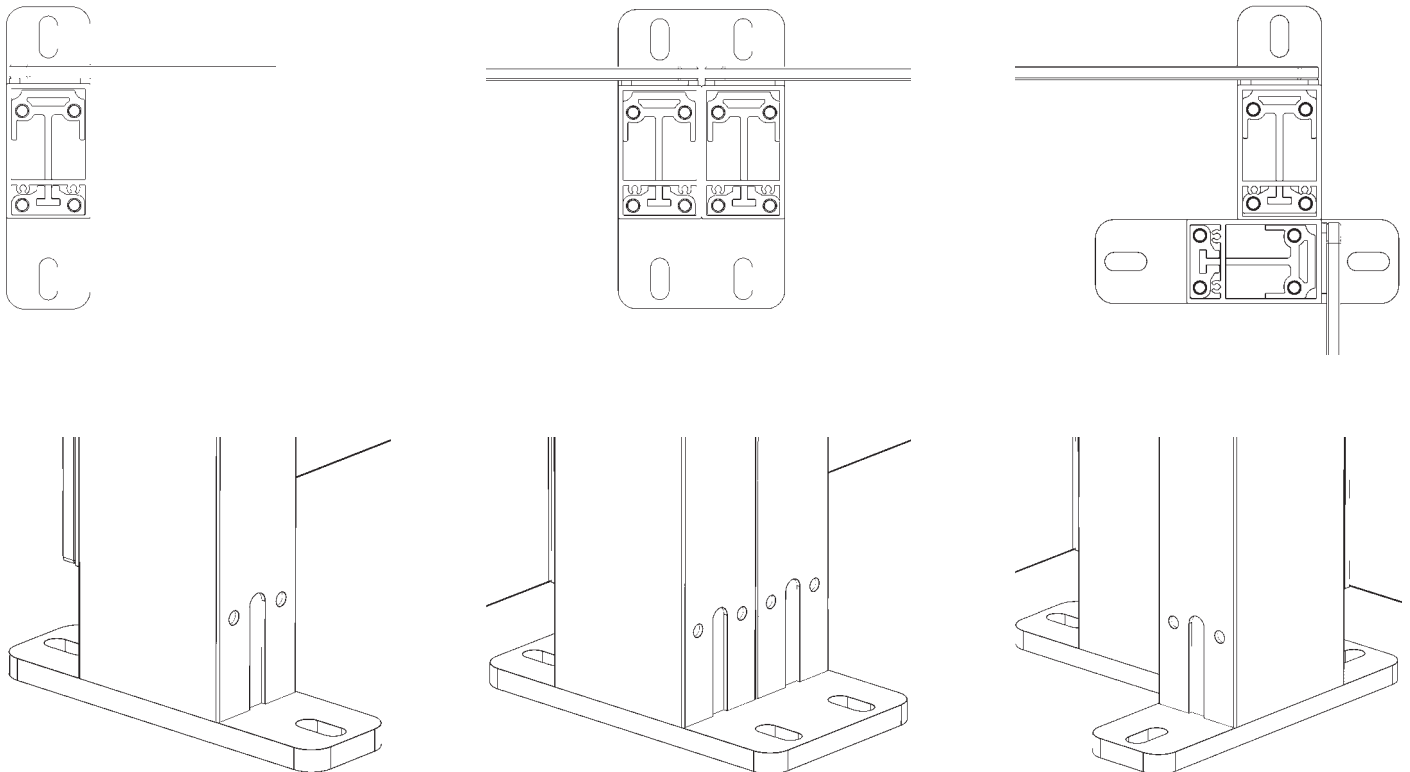
- Verify that the substrate has sufficient load-bearing capacity to support the windscreen's self-weight and the loads arising from wind exposure and normal use.
- The substrate must be level and even.
- The fixing surfaces must be dimensioned to allow secure fastening. When fixing to concrete, a rubber sheet or other insulating barrier must be placed between the fixing and the concrete surface to minimise the risk of corrosion and damage.
- Verify that actual dimensions and section dimensions correspond with the drawing and order.
- Select fixing elements suitable for the substrate material.
- Plan the placement of the windscreen before starting the installation.
- Ensure sufficient space for safe handling, considering its weight and size.
- Avoid lifting alone.
- Avoid installing the product in strong wind or adverse weather conditions.

Installation

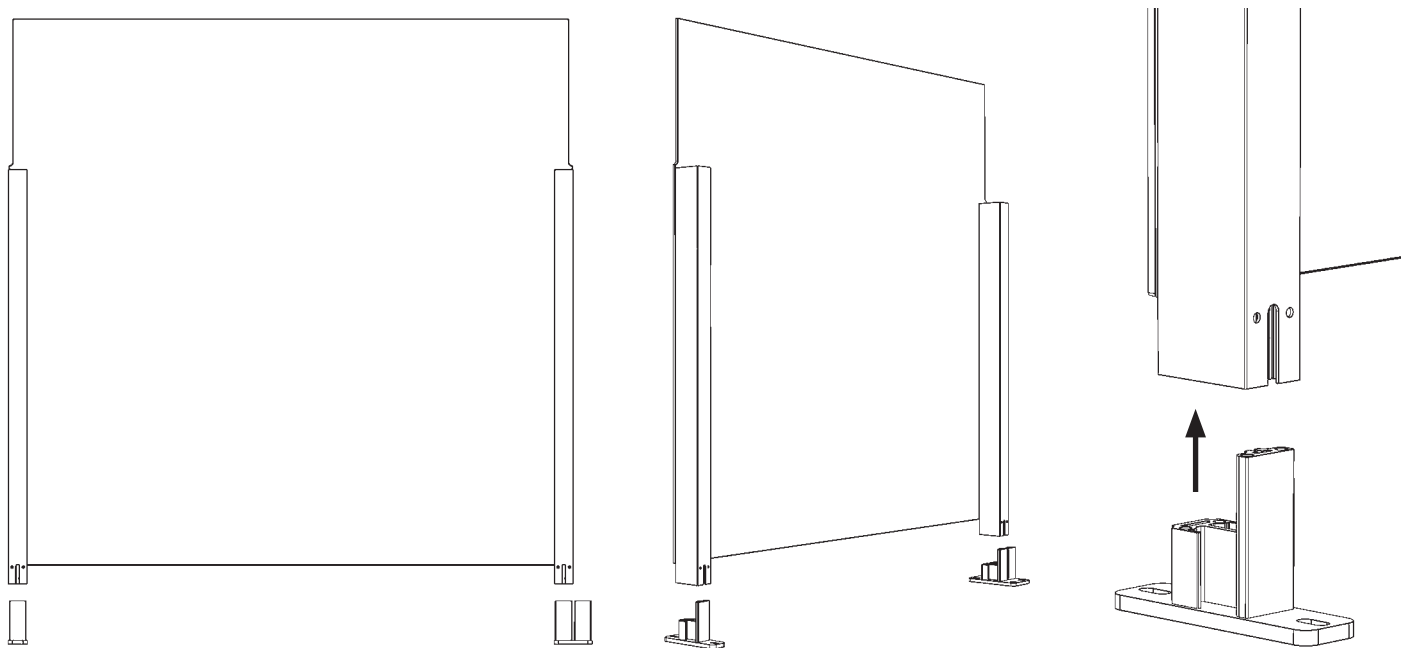
1. Install the first section.

Mark a line where the windscreen is to be installed. If the installation includes corners or level differences, it is recommended to begin with these sections.

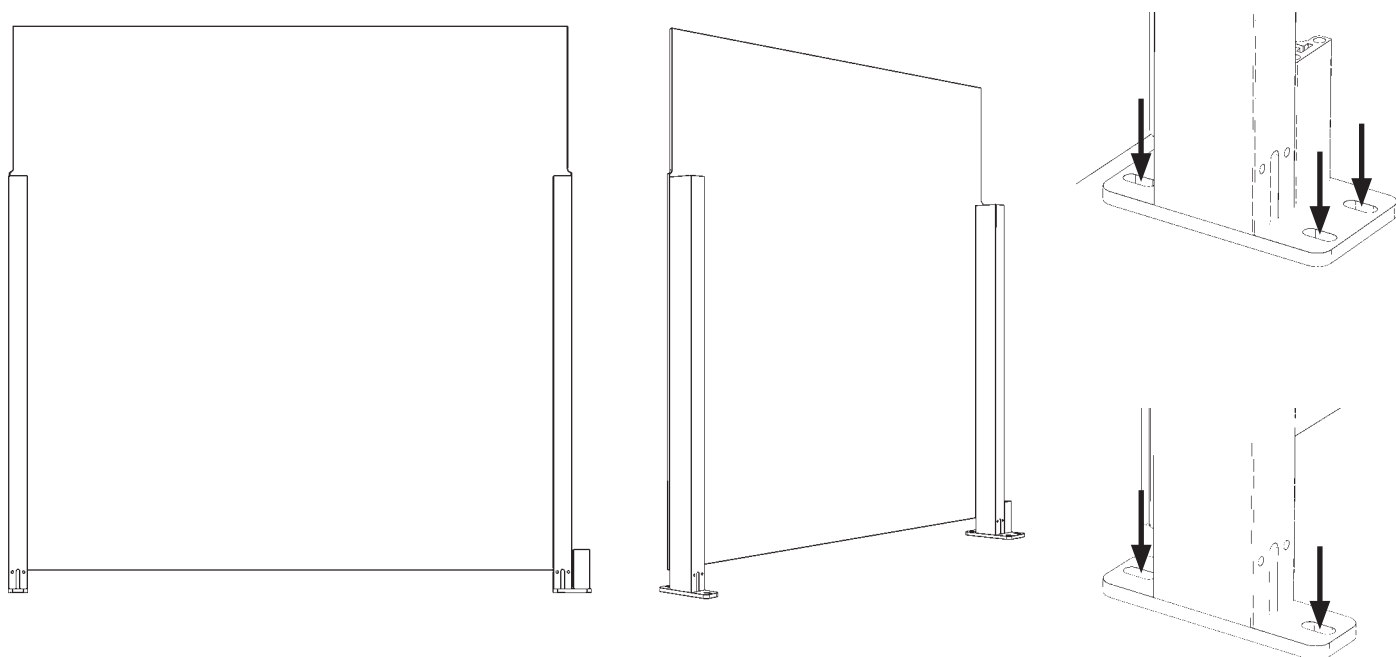
Note that sloping substrates may cause height differences between sections. This can be corrected later – see section 3: *Height adjustment on sloping substrates*. Please note that the posts will be positioned at their lowest point at the highest point of the substrate. Before installing the first section, ensure that the correct ground fixings are available for your layout.



Place the ground fixings at the bottom of the posts without securing them. Position the section along the marked line and adjust it to the correct position.

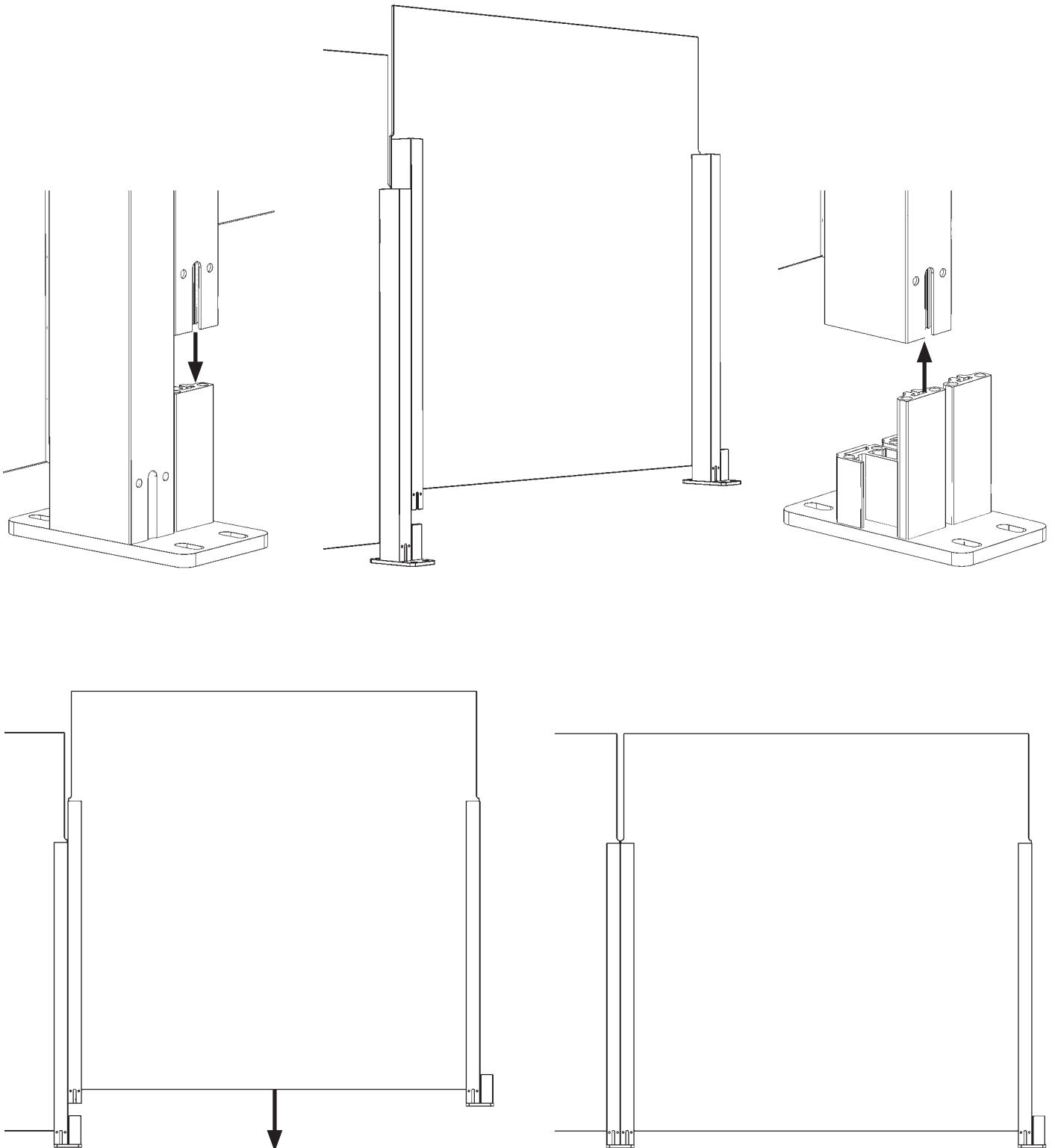


Then fasten the ground fixings to the substrate.



2. Installation of subsequent sections

Prepare the next section with a double ground fixing if multiple sections are to be connected. Position the windscreen and connect it using the double ground fixing to the previous section. Repeat until the entire system is installed. Finish with a single ground fixing on the last post.

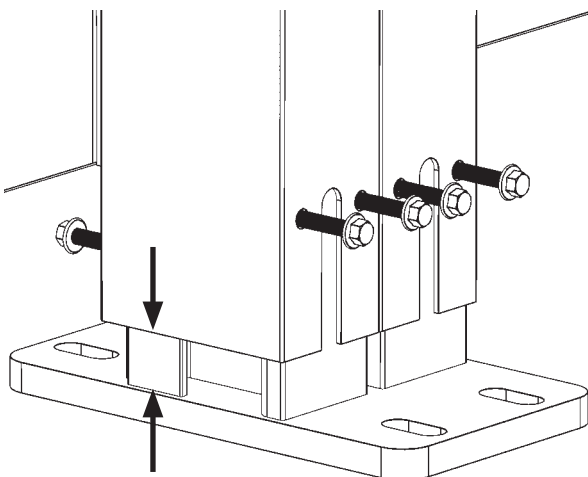
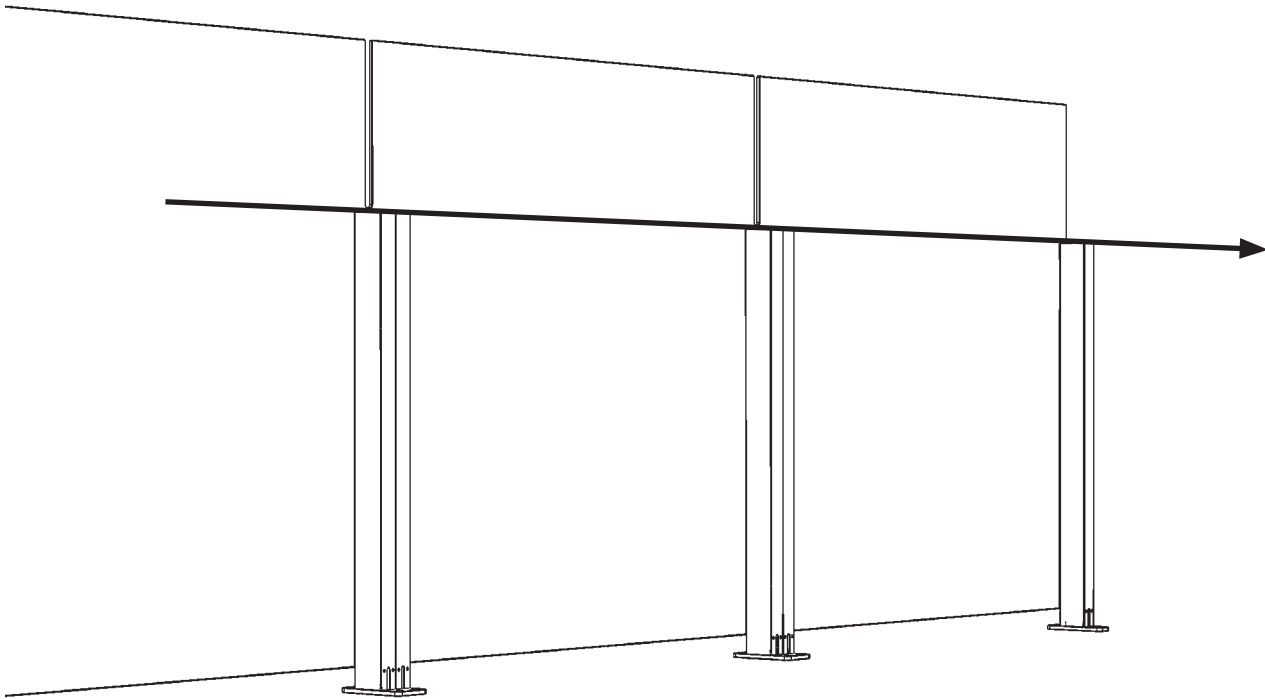


3. Height adjustment on sloping substrates

If necessary, adjust the height by mounting the sections at different levels on the ground fixings to compensate for slope. For a uniform appearance, install sections vertically and horizontally so that the top edges of the posts align between sections. Use a spirit level to ensure correct adjustment.

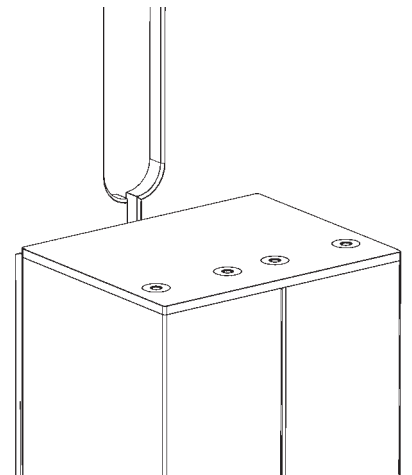
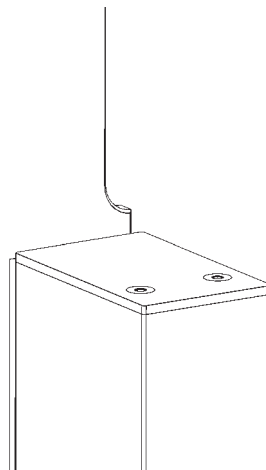
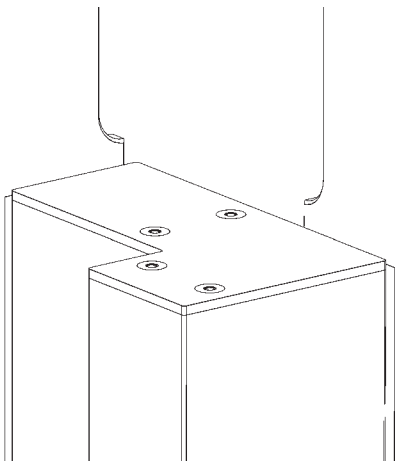
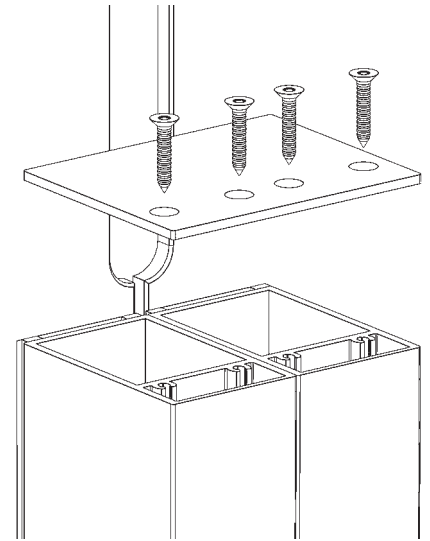
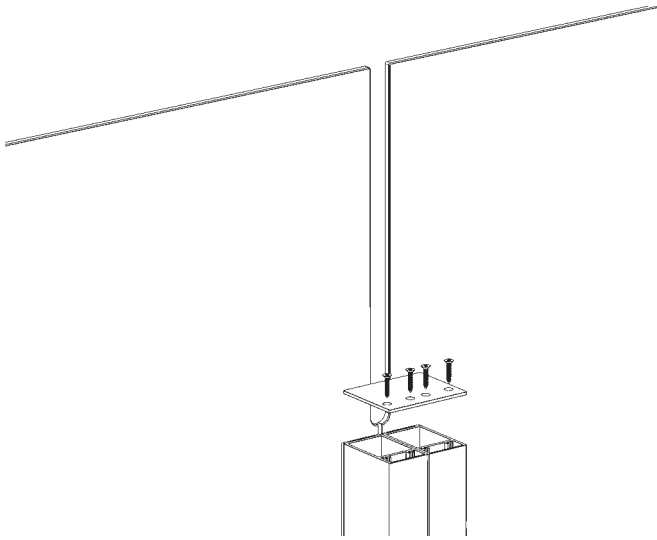
Tip: Use temporary blocks under the glass to hold the section in position before fixing. Choose stable and soft materials such as wood or plastic to avoid damage.

Screws for fixing the section to the ground fixings are included.



4. Install cover caps.

Position and fasten cover caps on top of the posts. Use double and corner cover caps when connecting system sections. Align carefully with outer edges of the post profile.



5. Self-inspection

Check product after installation.

- Ensure no parts are damaged or incorrectly installed
- Ensure proper fastening to substrate

6. Contrast marking

Improve safety by applying contrast markings on glass surfaces. Often legally required in public environments. Place at two heights for seated and standing visibility. Ensure strong contrast. Check local regulations.

Use

CiUWindscreen is designed to provide protection against wind while maintaining clear visibility. The windscreen is not intended as a load-bearing structure or as a fall protection barrier. Do not place heavy loads on the glass or posts.

Maintenance

The product requires minimal maintenance, but regular cleaning and visual inspection are recommended to ensure continued function and safety.

- Wipe the exterior of the aluminium profiles with a damp cloth and mild detergent. Do not use strong acids, alkaline cleaners or abrasive agents that may damage the anodising.
- Clean the glass with a soft cloth or sponge using lukewarm water and a mild detergent. Avoid abrasive cleaners or tools that may scratch the glass surface.

Warranty

For the warranty to be valid, the following conditions must be met:

- In case of a warranty claim, the seller must be contacted for assessment in accordance with the applicable warranty terms. The seller is responsible for confirming whether the defect is covered. Any intervention without approval from ErgoSafe's claims department is at the customer's own risk and voids the warranty.
- The product's serial number and photographs clearly showing the defect must be provided.
- Replaced parts must be returned to the seller; otherwise, the right to warranty compensation is forfeited.

The warranty does not cover incorrect installation or settlement in foundations or timber structures.

Dismantling

If dismantling is required, for example for service, relocation or recycling, it must be carried out with the same care as during installation.

Recycling

CiUWindscreen is designed with recyclable materials in mind, contributing to a more sustainable life cycle. At the end of life, the components can be easily dismantled, separated and sorted in accordance with applicable regulations and recommendations for material recycling.



ClickitUp[®]

by ErgoSafe[®]